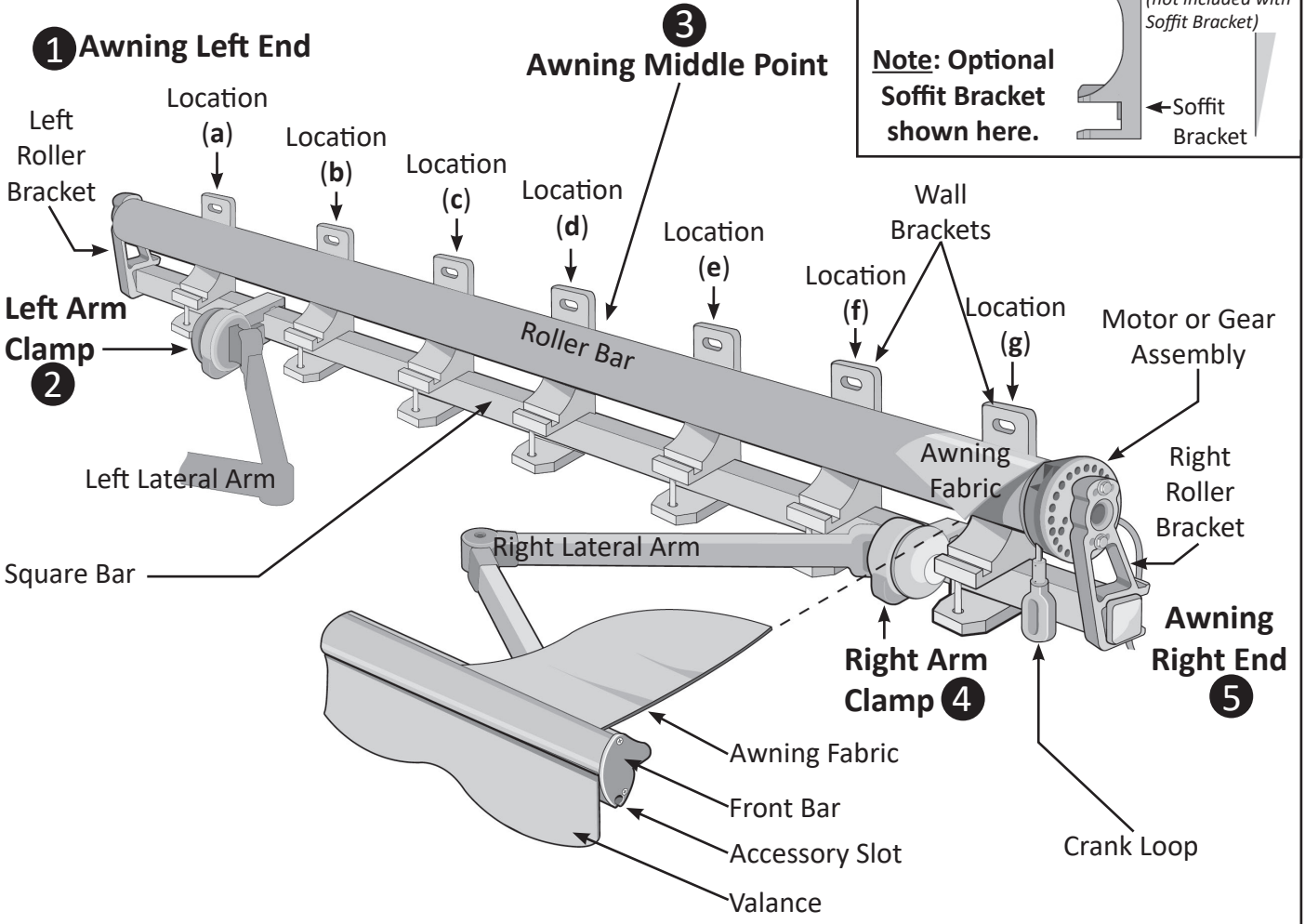
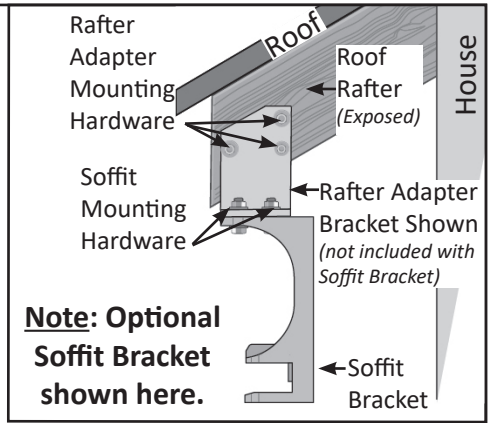


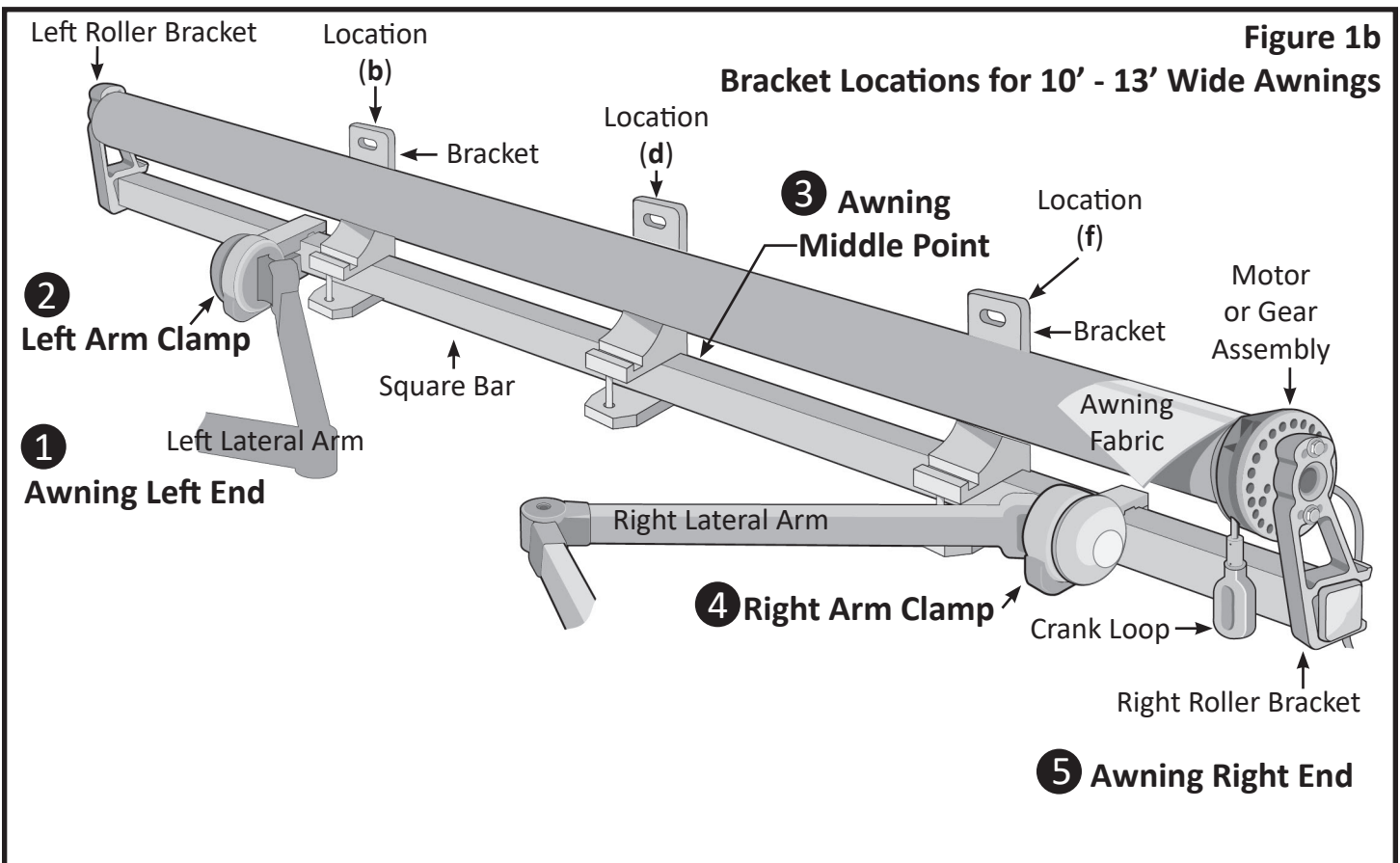
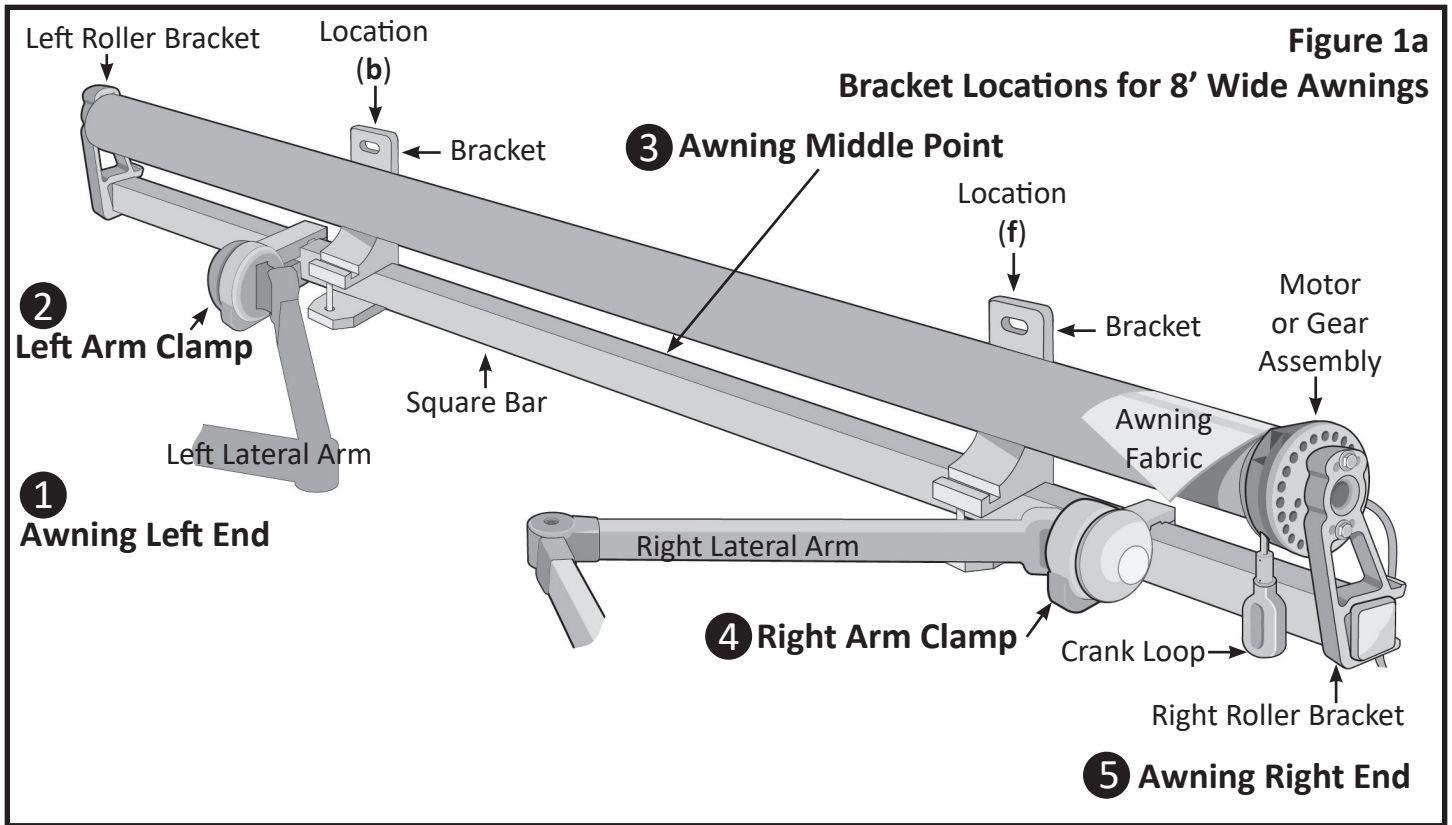
Parts Diagram

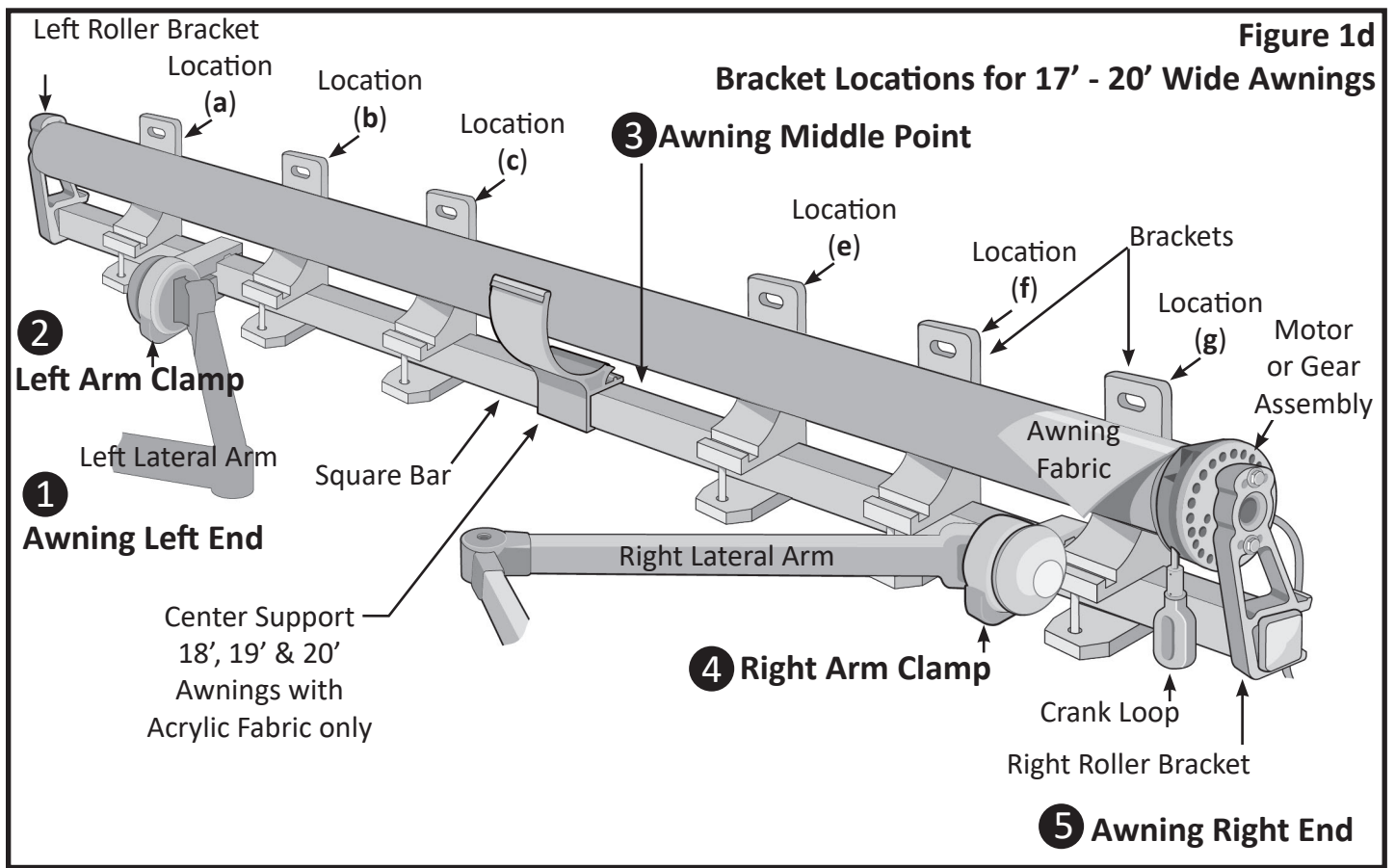
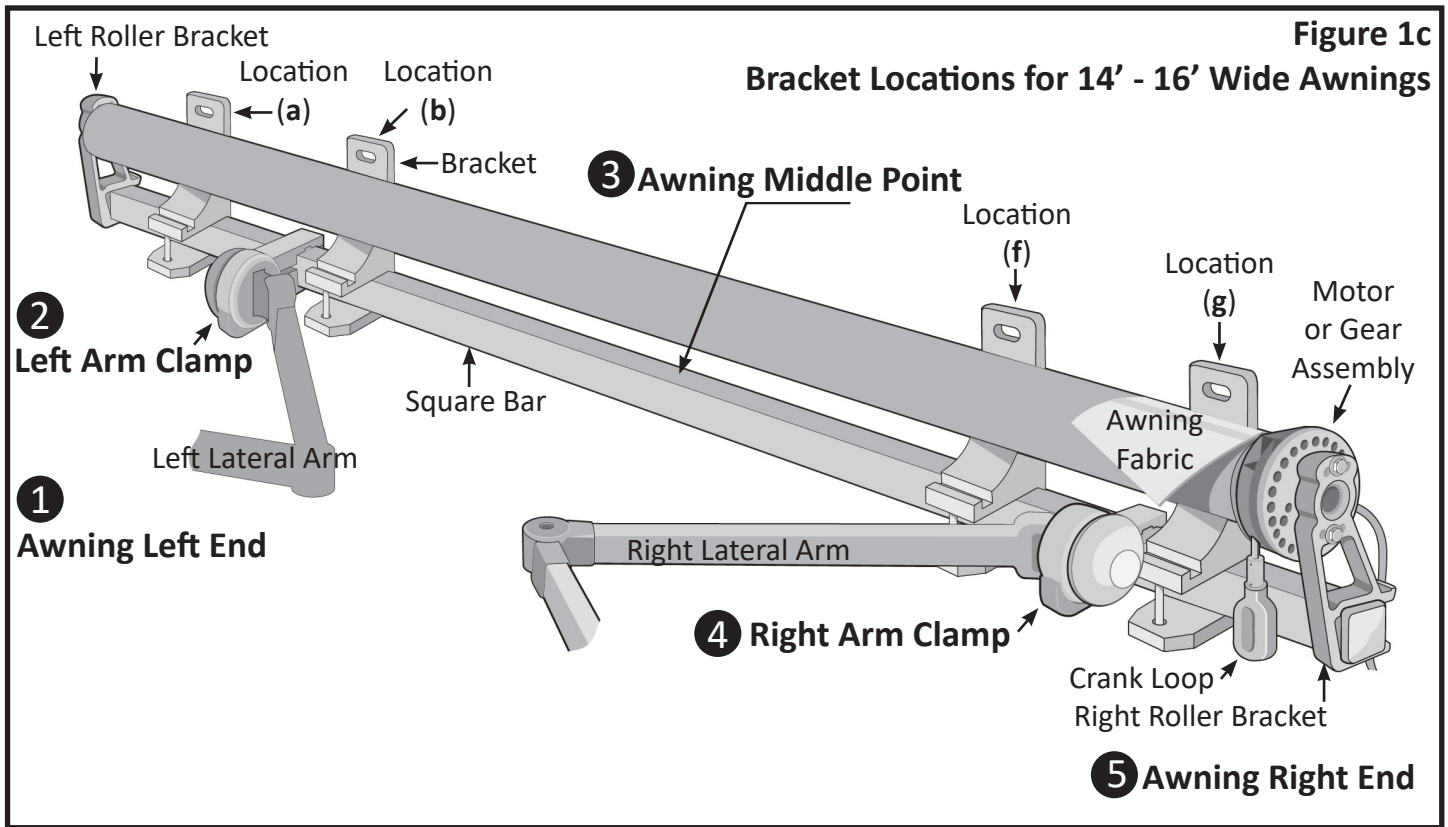
Figure 1

Note: This figure shows Awning with Motor installed on the right side as you face the house.

Note: Number of Brackets supplied with the Awning will vary (minimum of 2, maximum of 6) depending on Awning size. See Parts List on page 4.



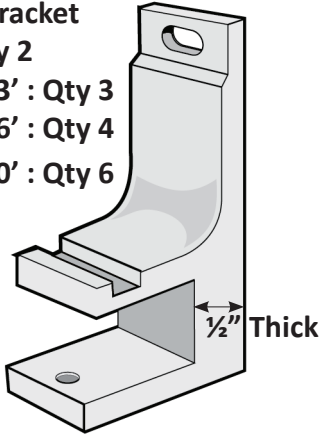




Supplied Fasteners / Parts List

Note: All Awnings ship with one of the following types of Brackets and Mounting Hardware:

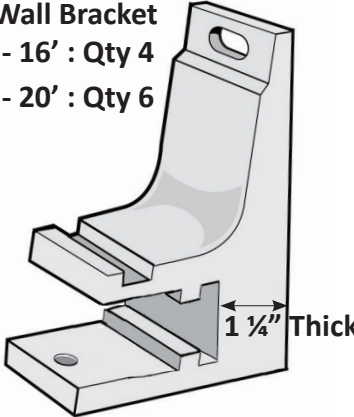
Wall Bracket
 8' : Qty 2
 10' - 13' : Qty 3
 14' - 16' : Qty 4
 17' - 20' : Qty 6



Mounting Hardware Includes:

- Two 4" Lag Screws and Flat Washers for each Wall Bracket
- One Retaining Bolt Set for each Wall Bracket

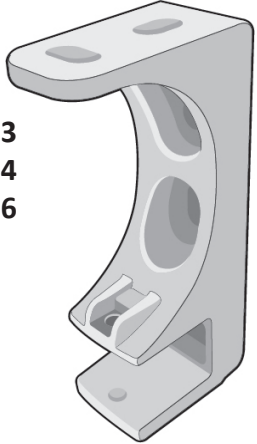
XL Wall Bracket
 14' - 16' : Qty 4
 17' - 20' : Qty 6



Mounting Hardware Includes:

- One 4" Lag Screw and Flat Washer for each Wall Bracket (use 4" Lag Screw in top Bracket hole)
- One 5" Lag Screw and Flat Washer for each Wall Bracket (use 5" Lag Screw in bottom Bracket hole)
- One Retaining Bolt Set for each Wall Bracket

Soffit Bracket
 8' : Qty 2
 10' - 13' : Qty 3
 14' - 16' : Qty 4
 17' - 20' : Qty 6




Mounting Hardware Includes:

- Two 4" Lag Screws and Flat Washers for each Soffit Bracket
- One Retaining Bolt Set for each Soffit Bracket

Lag Screws and Flat Washers


3/8" Flat Washer
 8' : Qty 4
 10'-13' : Qty 6
 14'-16' : Qty 8
 17'-20' : Qty 12

3/8" x 4" Lag Screw (for all Brackets)
 (Note: For XL Wall Bracket, half the number of 4" Lag Screws are replaced with 5" Lag Screws, as shown below.)
 8' : Qty 4, 10'-13' : Qty 6, 14'-16' : Qty 8, 17'-20' : Qty 12



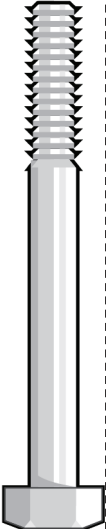
3/8" x 5" Lag Screw (for XL Wall Bracket only)
 14'-16' : Qty 4, 17'-20' : Qty 6

Use 5" Lag Screw in bottom XL Bracket hole




Retaining Bolt Set
 8' : Qty 2
 10'-13' : Qty 3
 14' - 16' : Qty 4
 17'-20' : Qty 6

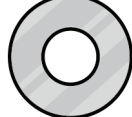
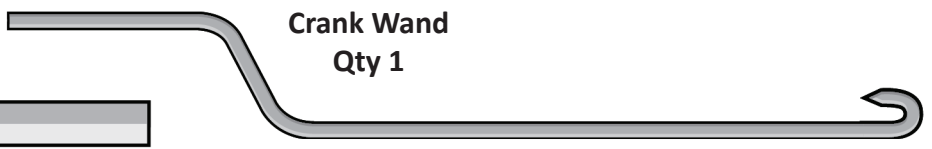
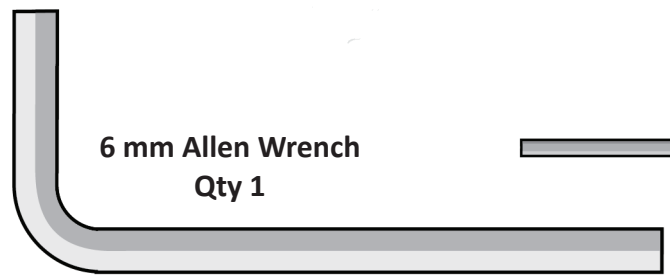
5/16" x 2-3/4" Retaining Hex Bolt



5/16" Retaining Nut

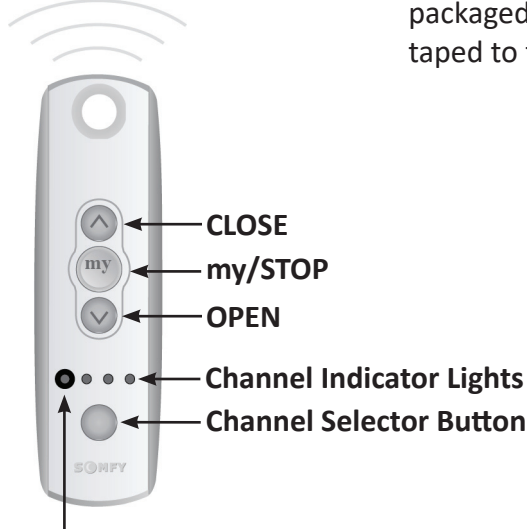


5/16" Flat Washer

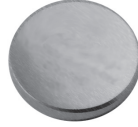



Additional Parts List - Motorized Models Only

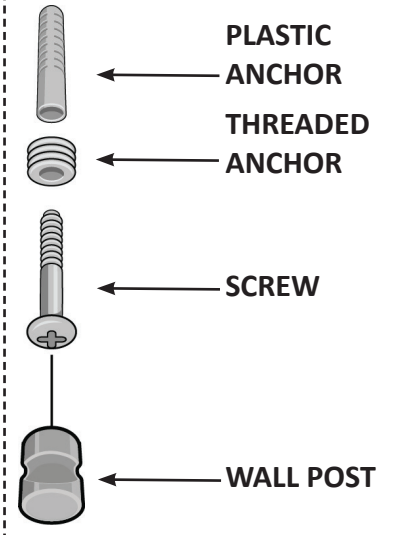
MultiChannel Remote Transmitter, Qty 1



A Spare CR2430 Lithium Battery for the Remote Transmitter is packaged in the clear bubble pack taped to the Motor Power Cord.



Wall Mount for Remote Transmitter, Qty 1



Note: Awning is preset to operate on Channel 1.

- Check the active Channel by briefly pressing the Channel Selector Button. The active Channel Light will blink.
- Change Channel by pressing the Channel Selector Button.
- Press the Channel Selector Button again while the Channel Indicator Light blinks and the next Channel will be selected.

Optional Parts List - Masonry, Brick or Concrete Installations

(available for all models)

$\frac{3}{8}$ " x 6" Masonry Drill Bit, Qty 1 (For Masonry Walls)



- 8' Awning = Qty 4
- 10' - 13' Awning = Qty 6
- 14' - 16' Awning = Qty 8
- 17' - 20' Awning = Qty 12

Note:

For XL Awnings, substitute half of the 4" Masonry Bolts with 5" Masonry Bolts



Other Optional Items Packaged in the Same Tube with your Awning (if purchased with your Awning)

- a. Cover
- b. Wireless Wind Sensor
- c. Wireless Wall Switch
- d. All-Weather Remote